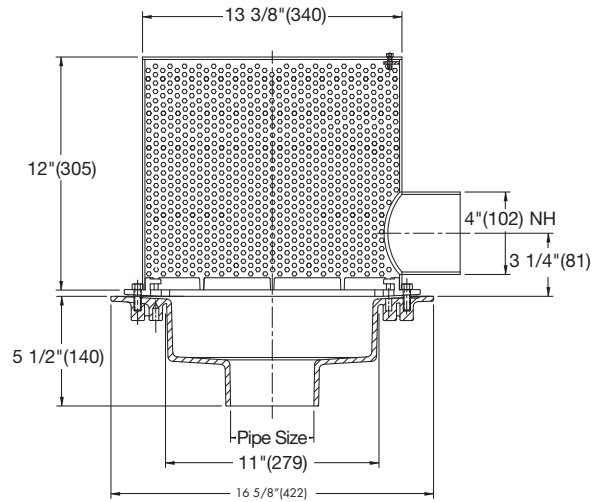


## Green Roof Drains

### GRD-670 Green Roof Drain w/Auxiliary Inlet

Model Number	Outlet Size	WT., lbs.	List Price
GRD-672, 3, 4, 5, 6, 8, 10	2,3,4,5,6,8,10"	38	\$3,895.50

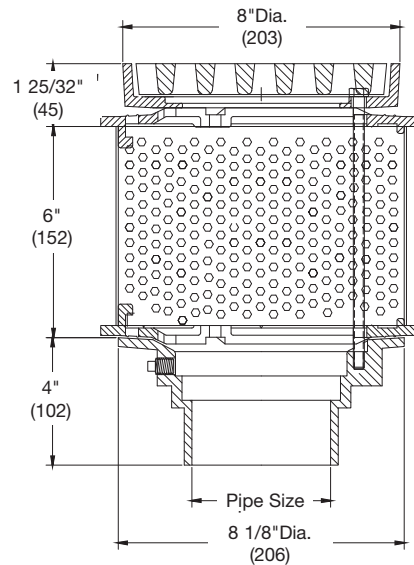


#### Options for GRD-670

Suffix	Description	List Price
-13	Galvanized Body & Clamp	\$956.50
-B	Sump Receiver	268.50
-D	Underdeck Clamp	240.50
-F	Deck Flange/Adj. Extension	659.50
-Q	Additional Inlet(s)	256.00 ea.

### GRD-680 Green Roof Planter Drain w/ Traffic Grate

Model Number	Outlet Size	Grate	WT., lbs.	List Price
GRD-682, 3, 4,	2,3,4,"	ductile iron	22	\$2,160.50



#### Options for GRD-680

Suffix	Description	List Price	Suffix	Description	List Price
-1	All Nickel Bronze Top	\$614.00	-D	Underdeck Clamp	\$149.00
-6	Vandal Proof	147.00	-F	Deck Flange/Adj. Extension	500.00
-13	Galvanized Body & Clamp	394.00	-SO	Side Outlet	218.00
-B	Sump Receiver	256.00			